

Tel: 704.588.3001
800.365.5454
Fax: 704.588.6659
Fax: 704.588.7512
<http://www.emjmetals.com>



"On Time Or Free"

TO: AEROQUIP - 1/2" Hyd. Hose

10/22/04

DATE:

UNITS NEW HOSE USED ON:

<u>SERIAL #</u>	<u>MODEL #</u>	<u>DESC.</u>	<u>ENG. S/W</u>	<u>DISTRIBUTOR</u>
14616104	3334000	SW/9XR-4P	372188	ALLIED INDUSTRIAL
14596104	3331440	SW/9XR-DSC	4Q5934	POWERSWEEP
14619104	3331440	SW/9XR-DSC	4Q5821	LIFE GENERAL
	3331440	SW/9XR-DSC	4Q6226	
	3331440	SW/9XR-DSC	4Q6244	
14597104	3334000	SW/9XR-4P	372726	POWERSWEEP
14606104	3334000	SW/9XR-4P	372091	TYNAN
14612104	3334000	SW/9XR-4P	372592	TOYOTA TSUSHU
14613104	3334000	SW/9XR-4P	372595	TOYOTA TSUSHU
14614104	3334000	SW/9XR-4P	372620	BAXTER
14615104	3334000	SW/9XR-4P	372167	MARYLAND INDUSTRIAL
14618104	3334000	SW/9XR-4P	372041	G.W. VAN KEPPEL
	3334000	SW/9XR-4P	372617	
	3317100	SW/9X-DSC	4N5732	
	3317100	SW/9X-DSC	4N5545	
14598104	3350400	SW/10X-DSC	4L5638	SWIFT
14620104	3350400	SW/10X-DSC	4L5893	TRITE

SW/8XR ARMADILLO
HYDRAULIC HOSE LIST

<u>PART NO.</u>	<u>DESCRIPTION</u>	<u>QUANTITY REQD.</u>
307667	Hose-Hyd CB Inner Port Vlv	1
307678	Hose-Hyd Vlv 318 Top of Tee	1
307666	Hose-Hyd Vlv to Imp. Inlet	1
307668	Hose-Hyd Vlv Out to Fill Inlet	1
307673	Hose-Hyd Vlv #3 to Main Lift	1
307680	Hose-Hyd MB Upper Port to Filter	1
307836	Hose-Hyd Cont. Vlv to Flow Div.	1
307837	Hose-Hyd Flow dir to Imp Case	1
309767	Hose-Hyd Oil Cooler/Res SW/8X	1
307676	Hose-Hyd MB Case Drain to Res.	1
307677	Hose-Hyd Lift Cyl. Frnt. Res.	1
307663	Hose-Hyd Imp to Res Case Drain	1
307679	Hose-Hyd Imp Out to MB Lower	1
307683	Hose-Hyd Whl Mtr. Case Drain to Res.	1
305789	Hose-Hyd Filter OL/Cool Coil	1
305253	Hose-Oil Drain	1
307669	Hose-Hyd Res to Aux Pump Inlet	1
309792	Hose-Hyd Pump to Vlv Inlet	1
309793	Hose-Hyd Drive Pump/Res.	1
309794	Hose-Hyd Whl Motor/Drive Pump	1
309795	Hose-Hyd Whl Motor/Drive Pump	1
309796	Hose-Hyd Drive Pump/Res.	1

SW/9XT ARMADILLO
HYDRAULIC HOSE LIST

<u>PART NO.</u>	<u>DESCRIPTION</u>	<u>QUANTITY REQD.</u>
307667	Hose-Hyd. SB/Ctrl Vlv	1
307678	Hose-Hyd. SB/Ctrl Vlv	1
307837	Hose-Hyd. Flow Dir/Imp	1
307677	Hose-Hyd. Lift Cyl/Res.	1
307663	Hose-Hyd Imp Res.	1
307679	Hose-Hyd Imp M. Broom	1
307673	Hose-Hyd Vlv/M. Lift Cyl.	1
307666	Hose-Hyd Vlv To Impeller	1
307671	Hose-Hyd. Steering Unit/Res.	1
307670	Hose-Hyd Steering Unit/Cyl.	1
307672	Hose-Hyd Steering Unit/Cyl.	1
307767	Hose-Hyd Impeller	1
307879	Hose-Hyd S.B Spd. Ctrl/Tee	1
307880	Hose-Hyd S.B Spd. Ctrl/Tee	1
300604	Hose-Hyd Filter Reservoir	2
307668	Hose-Hyd Vlv to Filter	1
307680	Hose-Hyd M. Broom to Filter	1
317221	Hose-Hyd Oil Cooler to Res	1
307683	Hose-Hyd Whl Motor to Res	1
307836	Hose Cntrl Vlv to Flow Divider	1
307676	Hose-Hyd M. Broom to Res.	1
307682	Hose-Hyd Wheel Mtr to Drive Pump	1
307684	Hose-Hyd Wheel Mtr/Drive Pump	1
307685	Hose-Hyd Drive Pump/Res	1
307688	Hose-Hyd Aux Pump to Vlv Inlet	1
307687	Hose-Hyd Aux Pump/Steering Unit	1
307686	Hose-Hyd Drive Pump Case Drain	1
307669	Hose-Hyd Res/Aux Pump Inlet	1

SW/9XT COOLER KIT

➤ 3316138	ASSY-KIT/FLD COOLING COIL SUB
➤ 3309101	HOSE-HYD FILTER TO COIL
➤ 3317221	HOSE-OIL COOLER TO RES

SW/8XT ARMADILLO
HYDRAULIC HOSE LIST

PART NO.	DESCRIPTION	QUANTITY REQD.
309792	Hose-Hyd Pump to Vlv Inlet	1
309793	Hose-Hyd Drive Pump/Res	1
309794	Hose-Hyd Whl Drive Pump	1
309795	Hose-Hyd Whl Mtr. to Drive Pump	1
309796	Hose-Hyd Drive Pump to Res	1
309797	Hose-Hyd Drive Pump/PowerSteering	1
300604	Hose-Hyd Filter to Res	2
307879	Hose-Hyd C.B. Speed Control/Tees	1
307880	Hose-Hyd C.B. Speed Control/Tees	1
307881	Hose-Hyd Vlv/C.B. Tees	1
307882	Hose-Hyd Vlv/C.B. Tees	1
307666	Hose-Hyd Vlv Out to Filter In	1
307668	Hose-Hyd Pwr. Steering To Steering Cyl	1
307671	Hose-Hyd Pwr. Steering To Res.	1
307672	Hose-Hyd Pwr. Steering Unit to Steering	1
307673	Hose-Hyd Vlv #3 to Main Lift	1
307680	Hose-Main Broom Upper Port to Filter	1
307836	Hose-Hyd Cont. Vlv to Flow Div.	1
307837	Hose-Hyd Flow Div. to Imp. Case	1
309767	Hose-Hyd Cooler to Res.	1
307663	Hose-Hyd Imp to Res. Case Drain	1
307676	Hose-Hyd M.B. Case Drain to Res.	1
307677	Hose-Hyd Lift Cyl Frt. Res.	1
307679	Hose-Hyd Imp. Out to M.B. Lower	1
307683	Hose-Hyd Wheel Mtr. Case Drain to Res.	1

HYDRAULIC HOSE DIAGRAM TSS/80 HD TOYOTA ENGINE

ITEM #	PART #	DESCRIPTION
1	305881	MAIN BROOM CASE DRAIN TO RESERVOIR
2	300638	SQUEEGEE VALVE "A" TO SQUEEGEE CYL (TEE)
3	300639	SQUEEGEE VALVE "B" TO SQUEEGEE CYL (ELBOW)
4	300641	SQUEEGEE CYL (TEE) TO RESERVOIR
5	300624	DRIVE MOTOR CASE DRAIN TO RESERVOIR
6	300633	LIFT CYL (TOP) TO RESERVOIR
7	300646	HYDRAULIC FILTER (ELBOW) TO RESERVOIR
8	305790	CONTROL VALVE TO HYD FILTER (TEE)
9	300652	CONTROL VALVE TO LIFT CYL (LOWER)
10	300622	CONTROL VALVE TO ROTATION CYL (UPPER)
11	305377	CONTROL VALVE TO ROTATION CYL (LOWER)
12	305329	CONTROL VALVE TO CURB BROOM (INLET)
13	305330	CONTROL VALVE TO CURB BROOM (OUTLET)
14	300612	LIFT CYL (UPPER) TO LIFT CYL (UPPER)
15	300640	CONTROL VALVE TO SQUEEGEE VALVE "C"
16	300618	LIFT CYL (LOWER) TO LIFT CYL (LOWER)
17	305789	HYD FILTER (TEE) TO COOLING COIL
18	305331	AUXILLIARY PUMP (OUTLET) TO CONTROL VALVE (INLET)
19	300627	RESERVOIR TO MAIN PUMP (INLET)
20	300615	CONTROL VALVE TO SCRUBHEAD MOTOR #1
21	305873	MAIN BROOM MOTOR TO COOLING COIL
22	300607	SCRUBHEAD MOTOR #1 TO SCRUBHEAD MOTOR #2
23	305375	MAIN PUMP (FRONT) TO DRIVE MOTOR
24	300629	SCRUBHEAD MOTOR #3 TO MAIN BROOM
25	300607	SCRUBHEAD MOTOR #2 TO SCRUBHEAD MOTOR #3
26	300628	MAIN PUMP (REAR) TO DRIVE MOTOR
27	300620	MAIN PUMP CASE DRAIN TO RESERVOIR
28	305332	RESERVOIR TO AUXILLIARY PUMP (SUPPLY)

CONTROL VALVES "EATON"

POWERROSS PART #	DESC.	VENDOR & VENDOR P/N	USED ON MODELS	REPAIR PART	POWERROSS PART #	VENDOR P/N
300356	2-SPOOL	EATON - 30502-CAH	MS-FS(CSS/ESS)	SEAL KIT	304765	30502-936
300357	3-SPOOL	EATON - 30503-AAS	MS-FS-71-75(HD)	SEAL KIT	304762	30503-918
313273	2-SPOOL	EATON - 30922-CDV	62-64 E.C.-65	SEAL KIT	324101	
317238	1-SPOOL(IMP)	EATON - 30541-AAV	MS-FS	SEAL KIT	324102	
307433	3-SPOOL(SWA)	EATON - 30503-AAV	8X-9X-10X	SEAL KIT	324103	
304780	(HDD) SPRING-DETENT	EATON - 30610-34				
304784	(HD) SPOOL-DETENT	EATON - 30501-304				
304778	(HDD) BLOCK-DETENT	EATON - 30501-136				
301779	(ID) SCREW-SPOOL	EATON - 30501-390				
303696	VALVE RELIEF 2250	PSI EATON - 32018-NA				
302761	VALVE RELIEF 1500	PSI EATON - 32018-GA				

EATON MOTORS (MAIN BRM, SCRUB, GRBRM) (003, 008, 009)

311038 (EATON-130-1005-003) TSS/62-62IC-62E, CB

301560 (EATON-101-1015-009) MSFS^{62IC} 75 SW/A CB

306127 (EATON-130-1225-003) SW/71 CB

301467 (EATON-101-1013-009) EDGE SC, AMPHI-TORQUE

[305942 (EATON-101-1011-009) FS-MS-300 RPM - MJT - SCRUB

301442 (EATON-101-1010-009) FS-MS-62IC MB

305669 (EATON-101-2036-009) FS-MS-8X9X10X MB

EATON MOTORS

101 - - 007

130 - - 001

REPLACEMENT PARTS

SEAL KIT - 305975

SHAFT-OUTPUT - 304909

SEAL DUST - 304967

[REDACTED]

REPLACEMENT PARTS

SEAL KIT - 303759

304967 - SEAL-SHAFT-PRESS

SHAFT-OUTPUT - 304909

304967 - SEAL DUST

REPLACEMENT PARTS

3 21158 - SEAL KIT
[REDACTED]

DANFOSS MOTORS (MAIN DRIVE, SCRUB, CURB ARM)

- 151-2041 BP -
- 301442 151-2042 BP - FSMS 62IC MB
- 311038 151-2043 BP - [REDACTED] TSS/62-62IC-62E CB
- 305942 151-2043 BP - MSFS-300 RPM-NYT-SCRUB
- 301467 151-2044 BP - EDGE SC, HI TORQUE SCRUB
- 301560-151-2048 BP - MSFS-62IC-SW/A CB
- 305669-151-2242 BP - MSFS 4X9 X10X MB

DANFOSS MOTORS

317726 - (15160035 EP) TSS65 SCRUB

REPLACEMENT PARTS

324088
15160202
(DANFOSS)

DRIVE MOTORS

"EATON"

DRIVE MOTOR (4000 SERIES) EATON

- * ~~EATON 110-1128-006~~
- 301533 (EATON 110-1085-004) ~~MS-FS-62IC~~ ~~MS-FS-62IX~~
- * (EATON 110-1128-004) ~~MS-FS-62IX~~
- 305108 * (EATON 110-1129-004) SW175E
- 306809 * (EATON 110-1130-004) ~~8X9X HE TORQUE~~ ~~PURSTEX~~
- (EATON 110-1067-004) ~~8X9X HE TORQUE~~ ~~PURSTEX~~

INSERT BETWEEN

DRIVE MOTOR (2000 SERIES) EATON

- 301534 (105-1168-006) ~~MS-FS-62IC~~ ~~MS-FS-62IX~~ ~~MS-FS-62IC~~ ~~MS-FS-62IX~~
- 105-1007-006

DRIVE MOTOR (4000 SERIES) EATON
301533 (EATON 110-1128-006)

- SEAL-BACK HALF - 303760
- SEAL-SHAFT - 61281 324090

REPLACEMENT PARTS

- 304733 - SEAL-OUTER FACE FS W/HL MTR
- 303953 - SEAL KIT-COMPLTE
- 303760 - SEAL KIT-BACK HALF
- 303952 - SEAL KIT - SHAFT
- 303931 - SHAFT AND BEARING
- 304726 - GEROLER (150 IN MOTOR)
- 304735 - GEROLER (190 IN MOTOR)
- 304731 - SEAL-SHAFT FACE FS W/HL MTR
- 304730 - SEAL-SHAFT FS W/HL MTR

REPLACEMENT PARTS

- 304724 - SEAL-OUTER FACE MS W/HL
- 61289 (EATON) SEAL KIT - SHAFT ^{BACK} # 324089
- 303758 - SEAL KIT-SHAFT
- 303932 - KIT - SHAFT & BEARING
- 304722 - SEAL-SHAFT FACE MS W/HL
- 304721 - SEAL-SHAFT MS W/HL

STEERING UNITS

C111111

EATON

STEERING UNITS - Hyd.

PIN

307262 -

DESC

STEER. UNIT - SW/A

DATE - V/P/W

(EATON - 241 - 1003 - 001)

USED ON MODELS

MS-FS 7X-9X10X

REPAIR PART

SEALKIT

P/W

309293



STEERING UNITS DANFOSS

STEERING UNITS - HYD.

P/N

~~307262~~ V/P/N

USED ON MODELS

REPAIR PART

P/N

307262 - STEER. UNIT - S.W/A (DANFOSS - OSP B-150-02T) MS.FS-7K-8K-9K-10X SEMKIT

~~307262~~
BR1160

HYD MAIN/AUX PUMPS "EATON"

POWERBOSS PART #	DESC.	VENDOR & VENDOR P/N	USED ON MODULES	REPAIR PART	POWERBOSS PART #	VENDOR P/N
300462	AUX PUMP FS	EATON - 25302-RAP	MSFS62E75-7SE	SEAL KIT	304793	25300-901
302074	AUX PUMP MS	EATON - B25301-LAG	EMPSUB MS	SEAL KIT	304793	25300-901
306743	MAIN/AUX PUMP HD EMP	EATON - 25382-RAN	MS-FS	SEAL KIT	324091	25380-930
307244	AUX PUMP w/ FLOW DIR DSL	EATON - 25334-RAP		SEAL KIT	304793	25330-930
309706	AUX PUMP w/ FLOW DIR GAS/LP	EATON - 25336-PAH	PAH	SEAL KIT	304793	25330-930
303203	PUMP - AUX	EATON 25302 CESSNA		SEAL KIT	304793	25300-901

HYD PUMPS ~~REPAIR~~ ~~COMP~~ 'EATON'

POWERBOSS PART #	DESC.	VENDOR & VENDOR P/N	USED ON MODULES	REPAIR PART	POWERBOSS PART #	VENDOR P/N
303581	Main Pump ODES	EATON E5588A - 70142-RES-CESSWA		SEAL KIT - ROUND PLAT	302841	[REDACTED]
				CHAMPLATE	302819	[REDACTED]
				ROTATING ASSY	302820	[REDACTED]
				RELIEF VALVE (HOOPER)	302824	[REDACTED]
				RELIEF VALVE (SCOPPE)	302845	[REDACTED]
				WASHER DR. SHAFT	302807	16048-312
				THROST RACE BRG	302810	16241-1625
				THROST BEARING	302811	16241-1625
				DRIVE SHEET	302812	70142-200
				NEEDLE BEARING	302814	16238-11616
				HOUSING ASSEMBLY	302813	70102-310
				NEEDLE BEARING	302815	76100-191
				INNER RACE	302816	70101-150
				SLEEVE COVER	302817	70411-141
				TYUNION COVER	302818	70111-622
				ROLL PIN	302821	16026-608
				BACK PLATE ASSY	302822	70111-343
				[REDACTED]	[REDACTED]	[REDACTED]
				PLUG ASSY	302827	32040-10
				COUPLER	302828	70111-647
				KEY	302829	16244-440
				GEYOND COUPLER ASSY	302830	70111-642
				CHECK VALVE ASSY	302831	70111-505
				CHARGE PUMP ADAPTER ASSY	302	832 70142-310
				POPNET	302833	70111-507
				[REDACTED]	[REDACTED]	[REDACTED]
				NEEDLE BEARING	302836	16239-1148
				CAPSCREW	302837	302837

70142-924
70111-633
70111-695
32060-918Z
32040-0A

160325
16032532
CAN SCREW: 2-1111. 2mm x 2.5 - 16032532

EATON - IMP. MOTORS - HYD.

306739 - (101-2036-009)

- SEAL KIT - 321121

C

Danfoss Imp. motors - Hyd.

306739 - (151-2342BP)

SEALKIT - 321158

1010101 VFN

JS BARNS - Imp. MOTORS - HYD. EATON P/N'S

- 306738 - (1010103) - MS-FS - SHAFT SEAL - 309292 *324095
- GASKET-AMBER - 2260032 *324096
- GASKET-SILVER - 2260140 *324097
- GASKET-GOLD - 2260141 324095
- 307002 - (1010099) - 6x9x10x-MS-FS - SHAFT SEAL - 309291 *324096
- GASKET-AMBER - 2260032 *324097
- GASKET-GOLD - 2260141
- 313008 - (1010150) - SW/64-62 I.C. - SHAFT SEAL - 309291
- GASKET - 2260036 * 324100

HD CYL'S "GOLD STAR"

POWERBOSS PART #	DESC.	VENDOR & VENDOR PIN	USED ON WOODIES	REPAIR PART	POWERBOSS PART #	VENDOR P/N
300141	CYL. SQ. LIST	GOLDSTAR-A278CY06	MS-FS	SEALKIT	321272	SK-AALW1510
300426	LIFT CYL. HD	GOLDSTAR-A278CY03	MS-FS-75F	SEALKIT	321273	SK-AALU11H
307243	LIFT CYL. HD	GOLDSTAR-A278CY02	62-64-SW/A(ALL)	SEALKIT	316629	SK-AALX251H
307311	PWR. STEER. CYL	GOLDSTAR-A278CY05	MS-FS-SW/A(ALL)	SEALKIT	321271	SK-AALV2001
307323	ROTATIONAL CYL	GOLDSTAR-A278CY07	62-64-SW/A(ALL)	SEALKIT	321269	SK-AARP1110
300407	ROTATIONAL CYL	GOLDSTAR-A278CY04	MS-FS	SEALKIT	311269	SK-AARP1110

HD & CYL'S "GREEN"

POWERBOSS PART #	DESC.	VENDOR & VENDOR P/N	USED ON MODELS	REPAIR PART	POWERBOSS PART #	VENDOR P/N
300068	LIFT CYL L.D.	GREEN-600-1735	MS-FS	SEALKIT	303590	44-1718-S
300141	CYL-SG LIFT	GREEN-600-1723	MS-FS	SEALKIT	304625	44-1717-S
300407	ROTATION CYL.	GREEN-600-1726	MS-FS	SEALKIT	304626	44-1719-S
300426	LIFT CYL HD	GREEN-600-1727	MS-FS-75E	SEALKIT	303590	44-1718S
304092	LIFT CYL HD	GREEN-600-2138	70-71-75	SEALKIT	309287	44-2138-S
304093	ROTATION CYL	GREEN-600-2139	75-70	SEALKIT	309288	44-2139-S
307243	LIFT CYL HD	GREEN-600-2634	62-64-65 SW/A/ALL	SEALKIT	309289	44-2634-S
307311	PWR STEER CYL	GREEN-600-2633	MS-FS-SW/A(ALL)	SEALKIT	309290	44-2633-S
307323	ROTATION CYL	GREEN-600-2632	62-64 SW/A(ALL)	SEALKIT	304626	44-1719-S
300004	SC HD LIFT CYL	GREEN-600-1724	78-88 SPEC. ORDER	SEALKIT	304625	44-1717-S

3-WAY VALVES - HYD.

<u>PN</u>	<u>DESC</u>	<u>V/PN</u>
302091	VALVE-3WAY	SFP-12C345-A12-T4
302091	VALVE-3WAY	SFP-12C345-A12-T4
302091	VALVE-3WAY	SFP-12C345-A12-T4

<u>USED ON MODELS</u>	<u>REPAIR PART</u>	<u>P/I</u>
MS-FS	Co. 1-WATERMAN	304501
MS-FS	Block-WATERMAN	304503
MS-FS	Cartridge-WATERMAN	304502

FITTINGS - HYD

<u>P/N</u>	<u>DESC</u>	<u>VPN</u>	<u>USED ON MODELS</u>	<u>REPAIR PART</u>
400169	FTG. SWIVEL 3/4-16 TO #3	HPD'S INC. 956J8-08	MSFS-75E-62IC-OMTW	SEALKIT FTG (SILVER)
400169	FTG. SWIVEL 3/4-16 TO #8	HPD'S INC. 956J8-08	MSFS-75E-62IC-OMTW	SEALKIT FTG (GOLD)

P/N
 3029448
 3029449

WARRANTIES PER MODEL

MODEL	MATERIAL & WORKMANSHIP	LABOR
SB/26 & SB/32	12 months or 500 hours	180 days
SW/62E TSS/62E CSS/62E	24 months or 1,250 hours	180 days
SW/62 GAS SW/62 DSL	24 months or 1,250 hours	180 days
SW/9XT SW/8XT SW/9XV SW/8XV SW/8XR * 48 mo. warranty only applies to units installed after October 1, 1992.	* 48 months or 2,800 hours (60 months or 3,000 hours on Gasoline Engines. <i>Note: General maintenance items such as plugs, fan belts, fuel pumps, carburetors, & alternators are excluded.</i>)	180 days
Other Sweepers	24 months or 2,000 hours	180 days
Other Scrubbers	24 months or 2,000 hours	180 days

European

90 days

Travel

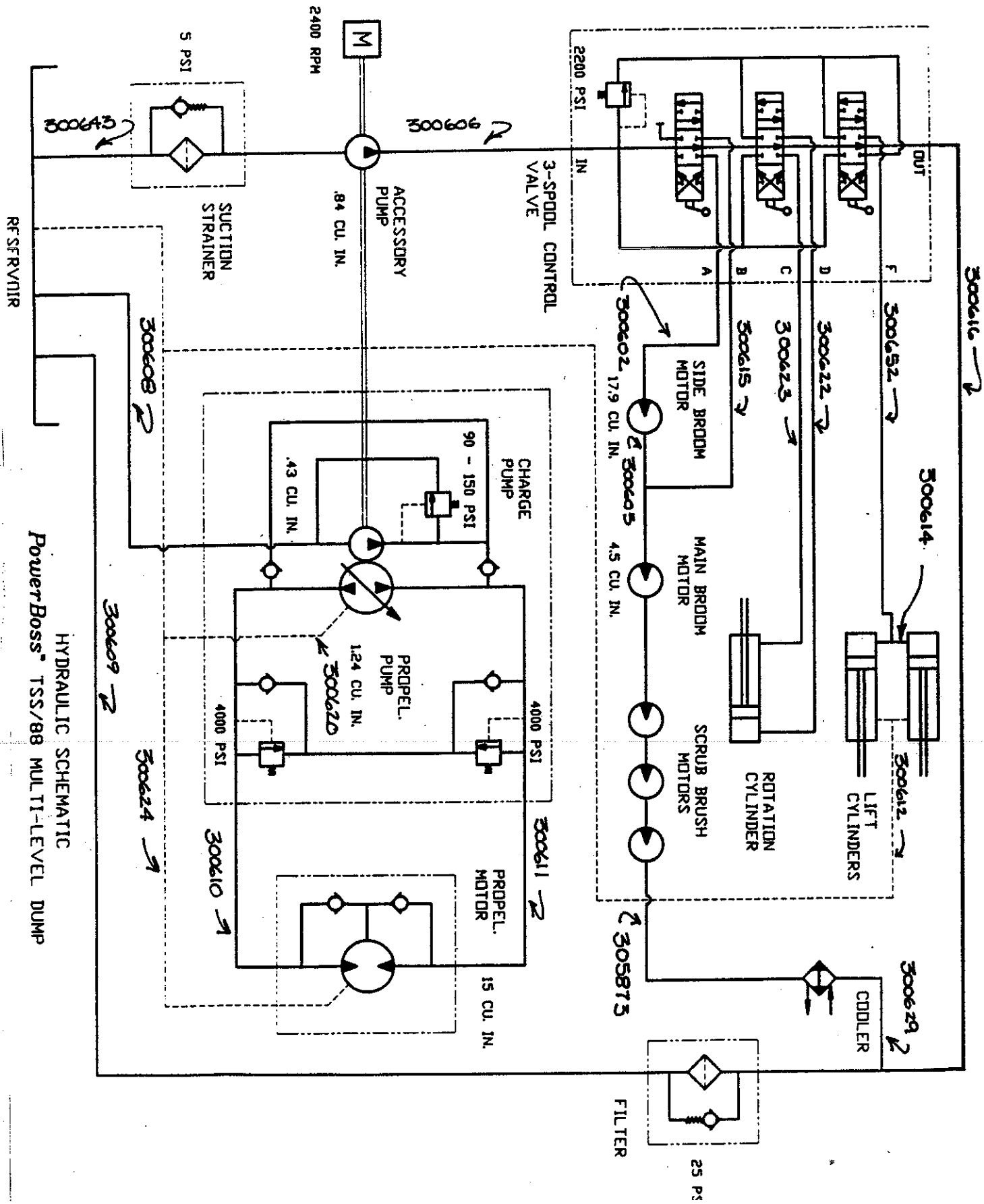
90 days

October 6, 1992



SW/8X		
Hose Number	FROM	TO
Station-6 <input type="checkbox"/> <input type="checkbox"/>		
307676	Main Broom	- Res
316326	Main Broom	- Filter
307679	Main Broom	- Impeller
307683	Tailwheel	- Res
307663	Impeller	- Res
307677	Lift Cylinder	- Res
309767	Oil Coolerr	- Res
316333	Valve Body	- Filter
Station 5		
307673	Valve Body	- Lift Cylinder
316440	Pwr Str	- Steer
316449	Pwr Str	- Steer
307666	Valve Body	- Impeller
307836	Valve Body	- Flow Div
307837	Flow Div	- Impeller
316336	Pwr Str	- Res
Station 4		
307667	Curb Broom	- Valve Body
307678	Curb Broom	- Valve Body

Sel	IO	Part Number	Description	Qty/Per	UM	Bom	A
		307679	HOSE-1/2 AR 63.50 ST#8 90S#8	1.	EA	Y	
		307683	HOSE-1/4 AR 120.50 ST#5 ST#4	1.	EA	Y	
		309759	HOSE-1/2 N 16.25 ST#8 45#8	1.	EA	Y	
		307663	HOSE-1/4 HT 50.50 ST#4 ST#5	1.	EA	Y	
		307666	HOSE-1/2 HT 56.25 ST#8 ST#8	1.	EA	Y	
		307667	HOSE-1/2 AR 81.38 ST#8 45#8	1.	EA	Y	
		307673	HOSE-1/4 AR 63.25 ST#5 90S#4	1.	EA	Y	
-		307676	HOSE-1/4 AR 28.00 ST#4 90L#4	1.	EA	Y	
		307677	HOSE-1/4 AR 42.00 ST#5 90S#5	1.	EA	Y	
		307678	HOSE-1/2 AR 80.25 ST#8 90S#8	1.	EA	Y	+
-		309767	HOSE-1/2 N 108.50 ST#8 ST#8	1.	EA	Y	
-		316326	HOSE-5/8 HT 95.00 ST#12 90S#10	1.	EA	Y	
		316333	HOSE-1/2 HT 84.00 ST#12 45#8	1.	EA	Y	
		316336	HOSE-3/8 HT 100.00 ST#5 90L#6	1.	EA	Y	
		316440	HOSE-3/8 HT 83.00 ST#6 90L#6	1.	EA	Y	
		316449	HOSE-3/8 HT 73.75 ST#6 90L#6	1.	EA	Y	
		309792	HOSE-1/2 N 169.50 ST#8 45#8	1.	EA	Y	
		309793	HOSE-1/2 N 168.00 ST#8 ST#8	1.	EA	Y	
		309794	HOSE-1/2 N 189.00 ST#8 ST#8	1.	EA	Y	
		309795	HOSE-HYD WHL MTR TO DRV PUMP 200" L 1/2 ST#8 - 90L#6	1.	EA	Y	
		309796	HOSE-3/8 N 176.00 ST#8 ST#6	1.	EA	Y	
		309797	HOSE-1/4 N 170.00 ST#4 90L#4	1.	EA	Y	
		316333	HOSE-1/2 HT 84.00 ST#12 45#8	1.	EA	Y	+



HYDRAULIC SCHEMATIC
 PowerBoss™ TSS/88 MULTI-LEVEL DUMP

HYDRAULICS SYSTEM

ITEM NBR.	PART NBR		DESCRIPTION
1	305881		W/B Main Broom to Res.
2	305873		W/B Main Broom to Coil
3	300629		W/B Main Broom To scrub Hd.
4	300615		Scrub Head to valve body
5	300638		Waterman Valve to Squeegee Lift cyl.
6	300639		Waterman valve to squeegee lift cyl.
7	300640		Waterman valve to valve body
8	300641		Squeegee Lift Cyl to Res
9	300609		Hyd, filter to res.
10	300630		Hyd, filter to valve body
11	300616		Hyd, filter to coil
12	300624		Tail Wheel to Res.
13	300643		Aux. pump to Res.
14	300606		Aux. pump to valve body
15	300608		Pump To Res.
16	300620		Pump To Res.
17	300610		Pump to tail wheel
18	300611		Pump to tail wheel
19	300652		H.D. Lift Cyl. to valve body
20	300633		H.D. Lift Cyl. to Res.
21	300612		H.D. Lift Cyl to H.D. Lift Cyl
22	300614		H.D. Lift Cyl to H.D. Lift Cyl
23	300602		Curb broom to valve body
24	300603		Curb broom to valve body
25	300622		Rot Cyl. To valve Body
26	300623		Rot. Cyl To valve Body

Scrubber TSS90 (Diesel)			
Part Number	to	from	length
300610	pump	tail wheel	104"
300611	pump	tail wheel	126"
300622	valve body	rotation cylinder	133"
305377	valve body	rotation cylinder	144"
300638	sub assembly sq valve	sq sift cyl	75"
300639	sub assembly sq valve	sq sift cyl	79"
300640	sub assembly sq valve	sq sift cyl	80"
300633	lift cylinder	reservoir	79"
300620	pump	reservoir	95"
300602	curb broom	valve body	128"
300608	pump	reservoir	77"
300608	pump	control valve	77"
300606	pump	console	91"
300653	Pump	reservoir	58"
300652	lift cylinder	valve body	62"
300624	tail wheel drain	reservoir	83"
300618	lift cylinder	lift cylinder	64"
300612	lift cylinder	lift cylinder	79"
300651	curb broom	valve body	132"
300629	main broom	scrub head	45"
300615	valve body	scrub head	86"
305881	main broom	reservoir	86"
300641	Sq lift cyl	reservoir	95"
300604	cooling coil	reservoir	42"
300604	cooling coil	impeller	42"
300630	flow valve	reservoir	20"
307673	impeller	reservoir	63.25"
300604	flow valve	valve body	42"
300604	impeller	hydraulic filter	42"
300646	hydraulic filter	reservoir	52"
305790	hydraulic filter	valve body	71"
300650	hydraulic filter	main broom	52"

Scrubber TSS90 (Ford)			
Part Number	to	from	length
300610	pump	tail wheel	104"
300611	pump	tail wheel	126"
300622	valve body	rotation cylinder	133"
305377	valve body	rotation cylinder	144"
300638	sub assembly sq valve	sq sift cyl	75"
300639	sub assembly sq valve	sq sift cyl	79"
300640	sub assembly sq valve	sq sift cyl	80"
300633	lift cylinder	reservoir	79"
300620	pump	reservoir	95"
300602	curb broom	valve body	128"
300608	pump	reservoir	77"
300608	pump	control valve	77"
300606	pump	console	91"
300653	Pump	reservoir	58"
300652	lift cylinder	valve body	62"
300624	tail wheel drain	reservoir	83"
300618	lift cylinder	lift cylinder	64"
300612	lift cylinder	lift cylinder	79"
300651	curb broom	valve body	132"
300629	main broom	scrub head	45"
305873	main broom	hydraulic filter	74"
300615	valve body	scrub head	86"
305881	main broom	reservoir	86"
300641	Sq lift cyl	reservoir	95"
300604	cooling coil	reservoir	42"
300604	cooling coil	impeller	42"
300630	flow valve	reservoir	20"
307673	impeller	reservoir	63.25"
300604	flow valve	valve body	42"
300604	impeller	reservoir	42"

Scrubber TSS82 (Ford)			
Part Number	to	from	length
305375	pump	tail wheel	104"
300628	pump	tail wheel	117"
300622	valve body	rotation cylinder	133"
305377	valve body	rotation cylinder	144"
300638	sub assembly sq valve	sq lift cyl	75"
300639	sub assembly sq valve	sq lift cyl	79"
300640	sub assembly sq valve	reservoir	80"
300633	lift cylinder	reservoir	79"
300620	pump	reservoir	95"
300602	curb broom	valve body	128"
300608	pump	reservoir	77"
300608	pump	control valve	77"
300606	pump	console	91"
317617	Pump	reservoir	62"
300652	lift cylinder	valve body	62"
300624	tail wheel drain	reservoir	83"
300618	lift cylinder	lift cylinder	64"
300612	lift cylinder	lift cylinder	79"
300651	curb broom	valve body	132"
300629	main broom	scrub head	45"
305873	main broom	hydraulic filter	74"
300615	valve body	scrub head	86"
305881	main broom	reservoir	86"
300641	Sq lift cyl	reservoir	95"
300604	cooling coil	reservoir	42"
300604	cooling coil	impeller	42"
300630	flow valve	reservoir	20"
307673	impeller	reservoir	63.25"
317619	hydraulic filter	valvebody	17"
317618	hydraulic filter	reservoir	34"
307673	impeller	reservoir	63.25

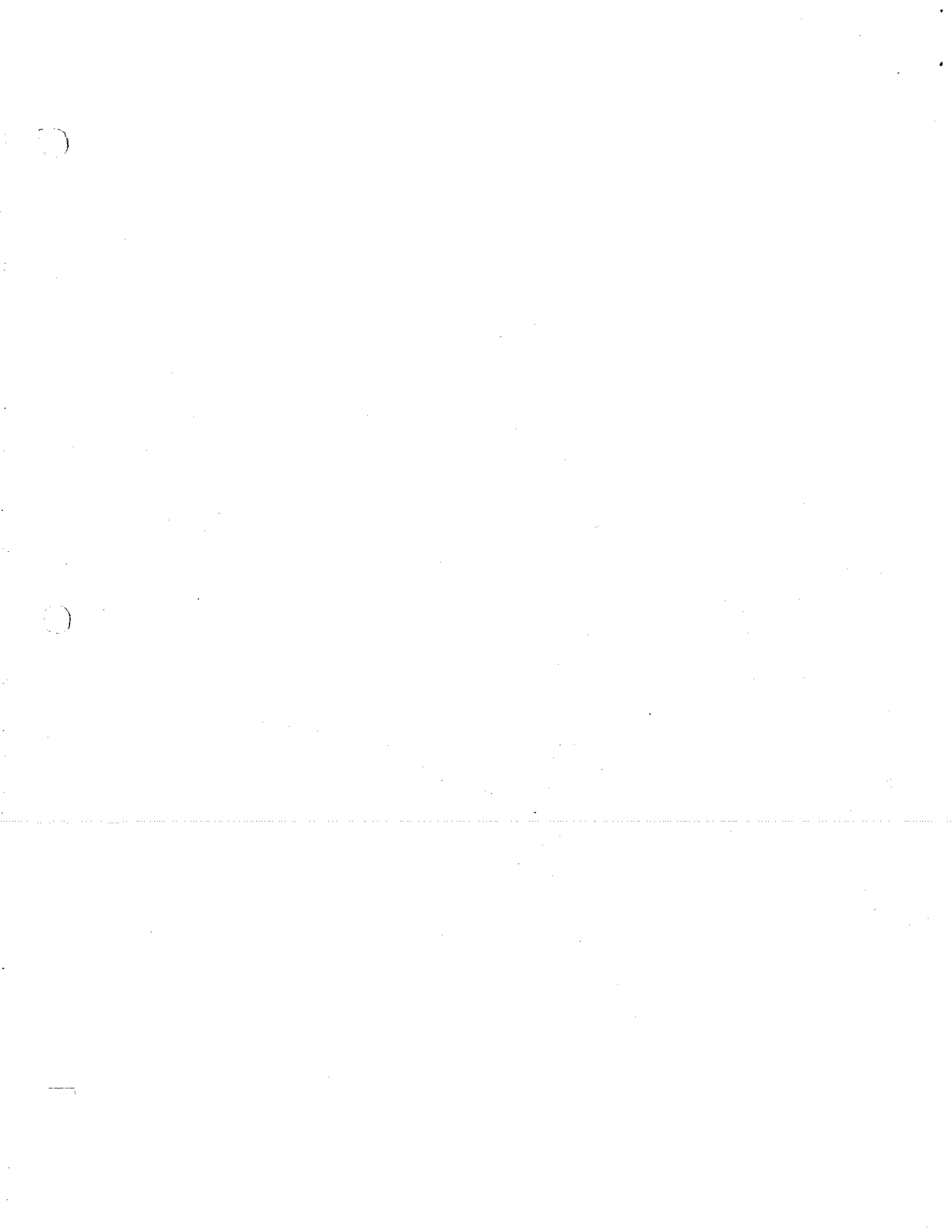
300651 - 4/8
300602 -

⊗

Scrubber CSS82 (Ford)			
Part Number	to	from	length
305375	pump	tail wheel	104"
300628	pump	tail wheel	117"
300638	sub assembly sq valve	sq lift cyl	75"
300639	sub assembly sq valve	sq lift cyl	79"
300640	sub assembly sq valve	reservoir	80"
300633	lift cylinder	reservoir	79"
300620	pump	reservoir	95"
300608	pump	reservoir	77"
300608	pump	control valve	77"
300606	pump	console	91"
317617	pump	reservoir	62"
300624	tail wheel drain	reservoir	83"
300629	main broom	scrub head	45"
305873	main broom	hydraulic filter	74"
300615	valve body	scrub head	86"
305881	main broom	reservoir	86"
300641	Sq lift cyl	reservoir	95"
300604	cooling coil	reservoir	42"
300604	cooling coil	impeller	42"
300630	flow valve	reservoir	20"
307673	impeller	reservoir	63.25"
317619	hydraulic filter	valve body	17"
317618	hydraulic filter	reservoir	34"
300604	impeller	reservoir	42"

SW/8X		
Hose Number	FROM	TO
Station-6 □ □		
307676	Main Broom	- Reservoir
316326	Main Broom	- Filter
307679	Main Broom	- Impeller
307683	Tail wheel	- Reservoir
307663	Impeller	- Reservoir
307677	Lift Cylinder	- Reservoir
309767	Oil Cooler	- Reservoir
316333	Valve Body	- Filter
Station 5		
307673	Valve Body	- Lift Cylinder
316440	Power Steering	- Steer
316449	Power Steering	- Steer
307666	Valve Body	- Impeller
307836	Valve Body	- Flow Valve
307837	Flow Valve	- Impeller
316336	Power Steering	- Reservoir
Station 4		
307667	Curb Broom	- Valve Body
307678	Curb Broom	- Valve Body

Scrubber CSS82 (Diesel)			
Part Number	to	from	length
305375	pump	tail wheel	104"
300628	pump	tail wheel	117"
300638	sub assembly sq valve	sq lift cyl	75"
300639	sub assembly sq valve	sq lift cyl	79"
300640	sub assembly sq valve	reservoir	80"
300633	lift cylinder	reservoir	79"
300620	pump	reservoir	95"
300608	pump	reservoir	77"
300608	pump	control valve	77"
300606	pump	console	91"
317617	pump	reservoir	62"
300624	tail wheel drain	reservoir	83"
300629	main broom	scrub head	45"
300615	valve body	scrub head	86"
305881	main broom	reservoir	86"
300641	Sq lift cyl	reservoir	95"
300604	cooling coil	reservoir	42"
300604	cooling coil	impeller	42"
300630	flow valve	reservoir	20"
307673	impeller	reservoir	63.25"
300604	flow valve	valve body	42"
300604	impeller	reservoir	42"
300646	hydraulic filter	reservoir	52"
305790	hydraulic filter	valve body	71"
300650	hydraulic filter	main broom	117"



MASTER HOSE LIST FOR: ARMADILLO'S 8X & 9X		S # W3 81 X0 V0 D0 S0 L	who uses the hose	S # W3 81 X7 V6 G0 A0 S	who uses the hose	S # W3 91 X7 T0 G0 A0 S	who uses the hose	S # W3 91 X7 T1 D0 S0 L	who uses the hose	J = JJ G = George (Sub Crib) F = Frankie (Engines)
HOSE #	Hose Specification									
307663		1	J1	1	J1	1	J1	1	J1	
307664	Rot. cyl. L/H #45T-55T	1	G1	1	G1	1	G1	1	G1	120.0
307665	" " " #45T-55T	1	G1	1	G1	1	G1	1	G1	104.0
307666		1	J1	1	J1	1	J1	1	J1	
307667		1	J1	1	J1	1	J1	1	J1	
307673		1	J1	1	J1	1	J1	1	J1	
307674	Rotation Hose RH ST#5 ST#4	1	G1	1	G1	1	G1	1	G1	110" 108.0
307675	" " "	1	G1	1	G1	1	G1	1	G1	100" 96.0
307676		1	J1	1	J1	1	J1	1	J1	
307677		1	J1	1	J1	1	J1	1	J1	
307678		1	J1	1	J1	1	J1	1	J1	
307679		1	J1	1	J1	1	J1	1	J1	
307682						1	F1	1	F1	
307683	1/4 120.00 ST#5 ST#4	1	J1	1	J1	1	J1	1	J1	
307684						1	F1	1	F1	
307685						1	F1	1	F1	
307686		0		0		1	F1	1	F1	
307687		0		0		1	F1	1	F1	
307688						1	F1	1	F1	
307836		1	J1	1	J1	1	J1	1	J1	
307837		1	J1	1	J1	1	J1	1	J1	
309101						1	G1	1	G1	
309759		1	?	1	?					
309767		1	?	1	?					
309792	Pump → control valve	1	F1	1	F1					
309793	1/2 168' ST 8 ST 8	1	F1	1	F1					
309794	1/2 189.0" #8 → #8	1	F1	1	F1	drive motor	Rev			→ 17"?
309795	Pump - drive motor	1	F1	1	F1					
309796	3/8" 176.00 ST#8 ST#6	1	F1	1	F1	Res to Pump				
309797		1	F1	1	F1					
316326		1	J1	1	J1	1	J1	1	J1	
316333		1	J1	1	J1	1	J1	1	J1	
316336		1	J1	1	J1	1	J1	1	J1	
316440		1	J1	1	J1	1	J1	1	J1	
316449		1	J1	1	J1	1	J1	1	J1	
317221						1	J1	1	J1	

*** Hoses going to the Line ("J" hoses) start at Work Center #4

307669 - Aux Pump to Res - 1.0 AR 116.00 ST#16 90L#16

SW/8X		
Hose Number	FROM	TO
Station-6 □ □		
307676	Main Broom	- Reservoir - <i>Not use on current units</i>
316326	Main Broom	- Filter
307679	Main Broom	- Impeller
307683	Tail wheel	- Reservoir
307663	Impeller	- Reservoir
307677	Lift Cylinder	- Reservoir
309767	Oil Cooler	- Reservoir
316333	Valve Body	- Filter
Station 5		
307673	Valve Body	- Lift Cylinder
316440	Power Steering	- Steer
316449	Power Steering	- Steer
307666	Valve Body	- Impeller
307836	Valve Body	- Flow Valve
307837	Flow Valve	- Impeller
316336	Power Steering	- Reservoir
Station 4		
307667	Curb Broom	- Valve Body
307678	Curb Broom	- Valve Body

10/13/98 16:20:29 PRODUCT_STRUCTURE_INQUIRY C/N 003 BILLM RKPSTQ02

SINGLE LEVEL EXPLOSION

Part Number 316504 U/M EA Select Date 10/13/98 Select Alternate
ASSY-PWRTRN SUB FORD GAS 8XR Planner.... 230 Select Display..

Sel	IO	Part_Number	Description	Qty/Per	UM	Bom	Alt	A
-		307634	ASSY-BATTERY CABLE ARMA NEG	1.	EA			
-		307669	HOSE-1.0 AR 116.00ST#16 90L#16	1.	EA			
-		307691	CLAMP-THROTTLE SW/A	1.	EA			
-		307725	SPACER-HOSE RETAINER SW/A	1.	EA			
-		307829	FTG-HOSE BARB 1/2 X 3/8 MPT	1.	EA			
-		307830	FTG-CAP 3/8 FPT	1.	EA			
-		307939	CABLE-BATTERY POSITIVE KBA DSL	1.	EA			
-		307973	MNT-HEAT SHIELD REAR KBA	1.	EA			
-		309339	FTG-ADPT 3/8MPT TO 3/8 HOSE BR	2.	EA			
-		309550	WELD-ENG PAN SW/8X PNTD	1.	EA			
-		309669	MNT-RADIATOR R/H SW/8X TYA	1.	EA			
-		309757	HANDLE-ENG SWING SW/8X PNTD	1.	EA			
-		309788	SEAL-SIDE RAD SW/8X	1.	EA			
-		309792	HOSE-1/2 N 169.50 ST#8 45#8	1.	EA			
-		309793	HOSE-1/2 N 168.00 ST#8 ST#8	1.	EA			+

07-03 SA MW KS IM II KB S1 A0

10/13/98 16:20:37 PRODUCT_STRUCTURE_INQUIRY C/N 003 BILLM RKPSTQ02

SINGLE LEVEL EXPLOSION

Part Number 316504 U/M EA Select Date 10/13/98 Select Alternate
ASSY-PWRTRN SUB FORD GAS 8XR Planner.... 230 Select Display..

Sel	IO	Part_Number	Description	Qty/Per	UM	Bom	Alt	A
-		309794	HOSE-1/2 N 189.00 ST#8 ST#8	1.	EA			
-		309795	HOSE-HYD WHL MTR TO DRV PUMP	1.	EA			
-		309796	HOSE-3/8 N 176.00 ST#8 ST#6	1.	EA			
-		309838	RET-AIRCLEAN TUBE SW8X D PNTD	1.	EA			
-		310054	VALVE-TOW OPTION	1.	EA			
-		312231	MNT-FWD/REV DSL SW/62 PLTD	1.	EA			
-		315611	HARNESMANUAL CHOKE FORD	1.	EA			
-		316160	MOUNT-REAR ENG FORD ARMA	1.	EA			
-		316161	BRKT-HYD HOSE RET RR FORD ARMA	1.	EA			
-		316162	FTG-OIL PAN DRAIN FORD ENG	1.	EA			
-		316163	FTG-NIPPLE 1-1/4 MPT	1.	EA			
-		316164	HOSE-OIL DRAIN FORD ARMA	1.	EA			
-		316166	MNT-HEAT SHIELD REAR FORD ARMA	1.	EA			
-		316168	MNT-ENG FRONT LH FORD ARMA	1.	EA			
-		316169	MNT-ENG FRONT RH FORD ARMA	1.	EA			+

07-03 SA MW KS IM II KB S1 A0

10/13/98 16:20:56 PRODUCT_STRUCTURE_INQUIRY C/N 003 BILLM RKPSTQ02

SINGLE LEVEL EXPLOSION

Part Number 316504 U/M EA Select Date 10/13/98 Select Alternate
ASSY-PWRTRN SUB FORD GAS 8XR Planner.... 230 Select Display..

Sel	IO	Part_Number	Description	Qty/Per	UM	Bom	Alt	A
-		316170	BRKT-HYD HOSE RET FRT FRD ARMA	1.	EA			

): SPEC82.WK1
Updated 10/17/94

CSS82GAS TSS82LP TSS82GAS
#330500 #330200 #330100

MASTER HOSE LIST
FOR: CSS82GAS
TSS82LP
TSS82GAS

HOSE # Hose Specification

C #	T #	T #
S 3	S 3	S 3
S 3	S 3	S 3
8 0	8 0	8 0
2 5	2 2	2 1
G 0	L 0	G 0
A 0	P 0	A 0
S	S	S

J = JJ
G = George in
Sub Assembly
C = Carl in Remote
Sub Assembly

*** Using "old" hose specifications

300602	AR #10-128"-#8ST#8ST	1 J1	1 J1
300604	HT #8-42"-#8ST#8ST	3 J3	3 J3
300606	AR #8-91"-#8ST#8ST	1 J1	1 J1
300607	AR #8-24"-#8ST#8ST	2 G2	2 G2
300608	AR #8-77"-#8ST#8ST	1 J1	1 J1
300612	AR #4-79"-#5ST#5S90	1 J1	1 J1
300615	AR #8-86"-#8ST#8S90	1 J1	1 J1
300618	AR #4-64"-#5ST#5S90	1 J1	1 J1
300620	HT #6-95"-#6ST#6ST	1 J1	1 J1
300622	AR #4-133"-#4ST#5ST	1 J1	1 J1
300624	HT #4-83"-#5ST#4S90	2 J1 C1	2 J1 C1
300628	N(R2) #8-117"-#8ST#8ST	1 J1	1 J1
300629	AR #8-45"-#8ST#8S90	1 J1	1 J1
300630	HT #8-20"-#8ST#8S90	0	0
300633	AR #4-79"-#5ST#5ST	1 J1	1 J1
300638	AR #4-75"-#4ST#5ST	1 G1	1 G1
300639	AR #4-79"-#4ST#5ST	1 G1	1 G1
300640	N#4-80"-#4ST#4ST	1 G1	1 G1
300641	AR #4-95"-#5ST#5S90	1 J1	1 J1
300651	AR #8-132"-#8ST#8S90	1 J1	1 J1
300652	AR #4-62"-#5ST#4S90	1 J1	1 J1
305375	N(R2) #8-104"-#8ST#8 45	1 J1	1 J1
305377	AR #4-144"-#4ST#5ST	1 J1	1 J1
305789	N #8-62"-#8ST#8 45	1 J1	1 J1
305873	AR #10-74"-#10ST#10S90	1 J1	1 J1
305881	AR #4-86"-#5ST#4S90	1 J1	1 J1
306933	N #8-12"-#8ST#8S90	2 J2	2 J2
306934	HT #4-68"-#4ST#4S90	1 C1	1 C1
307673	AR #4-63.25"-#5ST#4S90	1 J1	1 J1
316063	HT #4-48"-#5ST#4S90	2 C2	2 C2
317617	HT #16-62"-#16ST#16 45	1 J1	1 J1
317618	HT #8-34"-#8ST#8S90	1 J1	1 J1
317619	HT #8-17"-#8ST#8ST	2 J2	2 J2
KIT			
306668		0	0
306672		0	

Modified spec to "old"

*** Hoses going to the Line ("J" hoses) start at Work Center #1

File: SPEC62.WK1
 Updated: 10/17/94

MASTER HOSE LIST FOR: SW62DSL SW62GAS SW62LP	All hoses go to the line starting at Work Center #6
---	--

SW62DSL SW62GAS SW62LP
 #313100 #313200 #313000

HOSE # HOSE SPECIFICATIONS
 300608 (AR #8-77"-#8ST#8ST)
 300614 (N #4-62"-#5ST#5ST)
 300624 (AR #4-83"-#5ST#4S90)
 300629 (AR #8-45"-#8ST#8S90)
 305331 (N #8-30"-#8ST#8 45)
 305789 (N #8-62"-#8ST#8 45)
 305790 (N #8-71"-#8ST#8S90)
 306571 (N #6-36"-#6ST#6ST)
 306936 (N #8-41.5"-#8ST#8ST)
 307663 (HT #4-50.5"-#4ST#5ST)
 311630 (N #4-19.5"-#5ST#4S90)
 311631 (N #4-117.5"-#5ST#4S90)
 311632 (N #4-102"-#5ST#4S90)
 313059 (N #16-31"-#16ST#16 45)
 313060 (N #8-75"-#8ST#8ST)
 313061 (N #8-72.5"-#8ST#8ST)
 KIT
 313091 (included all above hoses)

	SW62DSL	SW62GAS	SW62LP
	1	1	1
	1	1	1
	1	1	1
	1	1	1
	2	2	2
	2	2	2
	1	1	1
	1	1	1
	4	4	4
	1	1	1
	1	1	1
	1	1	1
	1	1	1
	1	1	1
	1	1	1
	1	1	1
	0	0	0

SW 80 (Ford)

part number	from	to	length
317 617	pump	reservoir	62:
300618	lift cyl bottom	lift cyl bottom	34"
300612	lift cyl top	lift cyl top	79"
300620	pump	reservoir	95"
300606	pump	valve body	91"
300628	pump	tail wheel	117"
305375	pump	tail wheel	104"
305789	pump	reservoir	
300651	curb broom	valve body	132"
300602	curb broom	valve body	128"
300633	lift cyl top	reservoir	79"
300652	lift cyl top	valve body	62"
300604	impeller	reservoir	42"
300615	main broom	valve body	86"
300604	impeller	valve body	42"
305873	main broom	hydraulic filter	74"

SW 80 (Ford)

part number	from	to	length
317 617	pump	reservoir	62:
300618	lift cyl bottom	lift cyl bottom	34"
300612	lift cyl top	lift cyl top	79"
300620	pump	reservoir	95"
300606	pump	valve body	91"
300628	pump	tail wheel	117"
305375	pump	tail wheel	104"
305789	pump	reservoir	
300651	curb broom	valve body	132"
300602	curb broom	valve body	128"
300633	lift cyl top	reservoir	79"
300652	lift cyl top	valve body	62"
300604	impeller	reservoir	42"
300615	main broom	valve body	86"
300604	impeller	valve body	42"
305873	main broom	hydraulic filter	74"

SW 80 (Ford)			
part number	from	to	length
317 617	pump	reservoir	62"
300618	lift cyl bottom	lift cyl bottom	34"
300612	lift cyl top	lift cyl top	79"
300620	pump	reservoir	95"
300606	pump	valve body	91"
300628	pump	tail wheel	117"
305375	pump	tail wheel	104"
305789	pump	reservoir	
300651	curb broom	valve body	132"
300602	curb broom	valve body	128"
300633	lift cyl top	reservoir	79"
300652	lift cyl top	valve body	62"
300604	impeller	reservoir	42"
300615	main broom	valve body	86"
300604	impeller	valve body	42"
790	hydraulic filter	valve body	
46	hydraulic filter	reservoir	
305873	main broom	hydraulic filter	74"

SW 62 (Ford LPG)

Part Number	from	to	Length
300608	blue valve	curb broom	77"
300614	lift cyl	reservoir	62"
300624	tail wheel	reservoir	83"
300629	valve body	hydraulic filter	45"
305331	valve body	impeller	30"
305331	cooling coil	blue valve	30"
305789	main broom	blue valve	62"
305789	main broom	impeller	62"
305790	curb broom	blue valve	71"
306571	pump	reservoir	36"
306936	pump	reservoir	41.5"
306936	cooling coil	oil filter	41.5"
306936	hydraulic filter	reservoir	41.5"
306936	pump	valve body	41.5"
307663	cooling coil	hydraulic filter	50.5"
311630	lift cyl	impeller	19.5"
311631	lift arms	valve body	117.5"
311632	lift arms	valve body	102"
313059	pump	reservoir	31"
313060	tail wheel	pump	75"
313061	tail wheel	pump	72.5"

SW 62 (Ford)

Part Number	from	to	Length
300608	blue valve	curb broom	77"
300614	lift cyl	reservoir	62"
300624	tail wheel	reservoir	83"
300629	valve body	hydraulic filter	45"
305331	valve body	impeller	30"
305331	cooling coil	blue valve	30"
305789	main broom	blue valve	62"
305789	main broom	impeller	62"
305790	curb broom	blue valve	71"
306571	pump	reservoir	36"
306936	pump	reservoir	41.5"
306936	cooling coil	oil filter	41.5"
306936	hydraulic filter	reservoir	41.5"
306936	pump	valve body	41.5"
307663	cooling coil	hydraulic filter	50.5"
311630	lift cyl	impeller	19.5"
311631	lift arms	valve body	117.5"
311632	lift arms	valve body	102"
313059	pump	reservoir	31"
313060	tail wheel	pump	75"
313061	tail wheel	pump	72.5"

SW 62 (Diesel)

Part Number	from	to	Length
300608	blue valve	curb broom	77"
300614	lift cyl	reservoir	62"
300624	tail wheel	reservoir	83"
300629	valve body	hydraulic filter	45"
305331	valve body	impeller	30"
305331	cooling coil	blue valve	30"
305789	main broom	blue valve	62"
305789	main broom	impeller	62"
305790	curb broom	blue valve	71"
306571	pump	reservoir	36"
306936	pump	reservoir	41.5"
306936	cooling coil	oil filter	41.5"
306936	hydraulic filter	reservoir	41.5"
306936	pump	valve body	41.5"
307663	cooling coil	hydraulic filter	50.5"
311630	lift cyl	impeller	19.5"
311631	lift arms	valve body	117.5"
311632	lift arms	valve body	102"
313059	pump	reservoir	31"
313060	tail wheel	pump	75"
313061	tail wheel	pump	72.5"

Scrubber CSS90 (Ford)			
Part Number	to	from	length
300610	pump	tail wheel	104"
300611	pump	tail wheel	126"
300638	sub assembly sq valve	sq sift cyl	75"
300639	sub assembly sq valve	sq sift cyl	79"
300640	sub assembly sq valve	sq sift cyl	80"
300620	pump	reservoir	95"
300608	pump	reservoir	77"
300608	pump	control valve	77"
300606	pump	console	91"
300653	Pump	reservoir	58"
300624	tail wheel drain	reservoir	83"
300629	main broom	scrub head	45"
305873	main broom	hydraulic filter	74"
300615	valve body	scrub head	86"
305881	main broom	reservoir	86"
300641	Sq lift cyl	reservoir	95"
300604	cooling coil	reservoir	42"
300604	cooling coil	impeller	42"
300630	flow valve	reservoir	20"
307673	impeller	reservoir	63.25"
300604	flow valve	valve body	42"
300604	impeller	reservoir	42"

Scrubber CSS90 (diesel)			
Part Number	to	from	length
300610	pump	tail wheel	104"
300611	pump	tail wheel	126"
300638	sub assembly sq valve	sq sift cyl	75"
300639	sub assembly sq valve	sq sift cyl	79"
300640	sub assembly sq valve	sq sift cyl	80"
300620	pump	reservoir	95"
300608	pump	reservoir	77"
300608	pump	control valve	77"
300606	pump	console	91"
300653	Pump	reservoir	58"
300624	tail wheel drain	reservoir	83"
300629	main broom	scrub head	45"
300615	valve body	scrub head	86"
305881	main broom	reservoir	86"
300641	Sq lift cyl	reservoir	95"
300604	cooling coil	reservoir	42"
300604	cooling coil	impeller	42"
300630	flow valve	reservoir	20"
307673	impeller	reservoir	63.25"
300604	flow valve	valve body	42"
300604	impeller	reservoir	42"
300646	hydraulic filter	reservoir	52"
305790	hydraulic filter	valve body	71"
300650	hydraulic filter	main broom	117"

Sweeper 65E			
Part Number	from	to	length
300624	valve body	curb broom	83"
311464	valve body	curb broom	82"
311620	valve body	lift cylinder	19.5"
311631	valve body	rotation cylinder	117.5"
311632	valve body	rotation cylinder	102"
311633	valve body	pump	31.5
311634	hydraulic filter	pump	34"
311635	hydraulic filter	pump	13"
311636	hydraulic filter	lift cylinder	31"
311461	sleeve ASB 17		33"
311462	sleeve ASB 17		18"
311463	sleeve ASB 17		56"

9 October, 1994
JWK

TSS 65E			
Part Number	to	From	Length
311630	Lift cyl bottom	valve body	19.5"
311630	Lift cyl top	hydroulic filter	19.5"
305331	motor	valve body	30"
305331	motor	hydrolic filter	30"
317619	valve body	hydrolic filter	17
317885	valve body	scrub head	68
317885	valve body	scrub head	68

Scrubber TSS82 (Diesel)			
Part Number	to	from	length
305375	pump	tail wheel	104"
300628	pump	tail wheel	117"
300622	valve body	rotation cylinder	133"
305377	valve body	rotation cylinder	144"
300638	sub assembly sq valve	sq lift cyl	75"
300639	sub assembly sq valve	sq lift cyl	79"
300640	sub assembly sq valve	reservoir	80"
300633	lift cylinder	reservoir	79"
300620	pump	reservoir	95"
300602	curb broom	valve body	128"
300608	pump	reservoir	77"
300608	pump	control valve	77"
300606	pump	console	91"
317617	Pump	reservoir	62"
300652	lift cylinder	valve body	62"
300624	tail wheel drain	reservoir	83"
300618	lift cylinder	lift cylinder	64"
300612	lift cylinder	lift cylinder	79"
300651	curb broom	valve body	132"
300629	main broom	scrub head	45"
300615	valve body	scrub head	86"
305881	main broom	reservoir	86"
300641	Sq lift cyl	reservoir	95"
300604	cooling coil	reservoir	42"
300604	cooling coil	impeller	42"
300630	flow valve	reservoir	20"
307673	impeller	reservoir	63.25"
300604	flow valve	valve body	42"
300604	impeller	reservoir	42"
300646	hydraulic filter	reservoir	52"
305790	hydraulic filter	valve body	71"
300650	hydraulic filter	main broom	117"

0

0

7

SW 80 (Ford)

part number	from	to	length
317 617	pump	reservoir	62:
300618	lift cyl bottom	lift cyl bottom	34"
300612	lift cyl top	lift cyl top	79"
300620	pump	reservoir	95"
300606	pump	valve body	91"
300628	pump	tail wheel	117"
305375	pump	tail wheel	104"
305789	pump	reservoir	
300651	curb broom	valve body	132"
300602	curb broom	valve body	128"
300633	lift cyl top	reservoir	79"
300652	lift cyl top	valve body	62"
300604	impeller	reservoir	42"
300615	main broom	valve body	86"
300604	impeller	valve body	42"
305873	main broom	hydraulic filter	74"

SW 80 (Ford)			
part number	from	to	length
317 617	pump	reservoir	62:
300618	lift cyl bottom	lift cyl bottom	34"
300612	lift cyl top	lift cyl top	79"
300620	pump	reservoir	95"
300606	pump	valve body	91"
300628	pump	tail wheel	117"
305375	pump	tail wheel	104"
305789	pump	reservoir	
300651	curb broom	valve body	132"
300602	curb broom	valve body	128"
300633	lift cyl top	reservoir	79"
300652	lift cyl top	valve body	62"
300604	impeller	reservoir	42"
300615	main broom	valve body	86"
300604	impeller	valve body	42"
305873	main broom	hydraulic filter	74"

SW 80 (Ford)			
part number	from	to	length
317 617	pump	reservoir	62:
300618	lift cyl bottom	lift cyl bottom	34"
300612	lift cyl top	lift cyl top	79"
300620	pump	reservoir	95"
300606	pump	valve body	91"
300628	pump	tail wheel	117"
305375	pump	tail wheel	104"
305789	pump	reservoir	
300651	curb broom	valve body	132"
300602	curb broom	valve body	128"
300633	lift cyl top	reservoir	79"
300652	lift cyl top	valve body	62"
300604	impeller	reservoir	42"
300615	main broom	valve body	86"
300604	impeller	valve body	42"
790	hydraulic filter	valve body	
46	hydraulic filter	reservoir	
305873	main broom	hydraulic filter	74"

SW 62 (Ford LPG)			
Part Number	from	to	Length
300608	blue valve	curb broom	77"
300614	lift cyl	reservoir	62"
300624	tail wheel	reservoir	83"
300629	valve body	hydraulic filter	45"
305331	valve body	impeller	30"
305331	cooling coil	blue valve	30"
305789	main broom	blue valve	62"
305789	main broom	impeller	62"
305790	curb broom	blue valve	71"
306571	pump	reservoir	36"
306936	pump	reservoir	41.5"
306936	cooling coil	oil filter	41.5"
306936	hydraulic filter	reservoir	41.5"
306936	pump	valve body	41.5"
307663	cooling coil	hydraulic filter	50.5"
311630	lift cyl	impeller	19.5"
311631	lift arms	valve body	117.5"
311632	lift arms	valve body	102"
313059	pump	reservoir	31"
313060	tail wheel	pump	75"
313061	tail wheel	pump	72.5"

SW 62 (Ford)

Part Number	from	to	Length
300608	blue valve	curb broom	77"
300614	lift cyl	reservoir	62"
300624	tail wheel	reservoir	83"
300629	valve body	hydraulic filter	45"
305331	valve body	impeller	30"
305331	cooling coil	blue valve	30"
305789	main broom	blue valve	62"
305789	main broom	impeller	62"
305790	curb broom	blue valve	71"
306571	pump	reservoir	36"
306936	pump	reservoir	41.5"
306936	cooling coil	oil filter	41.5"
306936	hydraulic filter	reservoir	41.5"
306936	pump	valve body	41.5"
307663	cooling coil	hydraulic filter	50.5"
311630	lift cyl	impeller	19.5"
311631	lift arms	valve body	117.5"
311632	lift arms	valve body	102"
313059	pump	reservoir	31"
313060	tail wheel	pump	75"
313061	tail wheel	pump	72.5"

SW 62 (Diesel)			
Part Number	from	to	Length
300608	blue valve	curb broom	77"
300614	lift cyl	reservoir	62"
300624	tail wheel	reservoir	83"
300629	valve body	hydraulic filter	45"
305331	valve body	impeller	30"
305331	cooling coil	blue valve	30"
305789	main broom	blue valve	62"
305789	main broom	impeller	62"
305790	curb broom	blue valve	71"
306571	pump	reservoir	36"
306936	pump	reservoir	41.5"
306936	cooling coil	oil filter	41.5"
306936	hydraulic filter	reservoir	41.5"
306936	pump	valve body	41.5"
307663	cooling coil	hydraulic filter	50.5"
311630	lift cyl	impeller	19.5"
311631	lift arms	valve body	117.5"
311632	lift arms	valve body	102"
313059	pump	reservoir	31"
313060	tail wheel	pump	75"
313061	tail wheel	pump	72.5"

Scrubber CSS90 (Ford)

Part Number	to	from	length
300610	pump	tail wheel	104"
300611	pump	tail wheel	126"
300638	sub assembly sq valve	sq sift cyl	75"
300639	sub assembly sq valve	sq sift cyl	79"
300640	sub assembly sq valve	sq sift cyl	80"
300620	pump	reservoir	95"
300608	pump	reservoir	77"
300608	pump	control valve	77"
300606	pump	console	91"
300653	Pump	reservoir	58"
300624	tail wheel drain	reservoir	83"
300629	main broom	scrub head	45"
305873	main broom	hydraulic filter	74"
300615	valve body	scrub head	86"
305881	main broom	reservoir	86"
300641	Sq lift cyl	reservoir	95"
300604	cooling coil	reservoir	42"
300604	cooling coil	impeller	42"
300630	flow valve	reservoir	20"
307673	impeller	reservoir	63.25"
300604	flow valve	valve body	42"
300604	impeller	reservoir	42"

Scrubber CSS90 (diesel)			
Part Number	to	from	length
300610	pump	tail wheel	104"
300611	pump	tail wheel	126"
300638	sub assembly sq valve	sq sift cyl	75"
300639	sub assembly sq valve	sq sift cyl	79"
300640	sub assembly sq valve	sq sift cyl	80"
300620	pump	reservoir	95"
300608	pump	reservoir	77"
300608	pump	control valve	77"
300606	pump	console	91"
300653	Pump	reservoir	58"
300624	tail wheel drain	reservoir	83"
300629	main broom	scrub head	45"
300615	valve body	scrub head	86"
305881	main broom	reservoir	86"
300641	Sq lift cyl	reservoir	95"
300604	cooling coil	reservoir	42"
300604	cooling coil	impeller	42"
300630	flow valve	reservoir	20"
307673	impeller	reservoir	63.25"
300604	flow valve	valve body	42"
300604	impeller	reservoir	42"
300646	hydraulic filter	reservoir	52"
305790	hydraulic filter	valve body	71"
300650	hydraulic filter	main broom	117"

Sweeper 65E			
Part Number	from	to	length
300624	valve body	curb broom	83"
311464	valve body	curb broom	82"
311620	valve body	lift cylinder	19.5"
311631	valve body	rotation cylinder	117.5"
311632	valve body	rotation cylinder	102"
311633	valve body	pump	31.5
311634	hydraulic filter	pump	34"
311635	hydraulic filter	pump	13"
311636	hydraulic filter	lift cylinder	31"
311461	sleeve ASB 17		33"
311462	sleeve ASB 17		18"
311463	sleeve ASB 17		56"

TSS 65E			
Part Number	to	From	Length
311630	Lift cyl bottom	valve body	19.5"
311630	Lift cyl top	hydroulic filter	19.5"
305331	motor	valve body	30"
305331	motor	hydrolic filter	30"
317619	valve body	hydrolic filter	17
317885	valve body	scrub head	68
317885	valve body	scrub head	68

Scrubber TSS82 (Diesel)

Part Number	to	from	length
305375	pump	tail wheel	104"
300628	pump	tail wheel	117"
300622	valve body	rotation cylinder	133"
305377	valve body	rotation cylinder	144"
300638	sub assembly sq valve	sq lift cyl	75"
300639	sub assembly sq valve	sq lift cyl	79"
300640	sub assembly sq valve	reservoir	80"
300633	lift cylinder	reservoir	79"
300620	pump	reservoir	95"
300602	curb broom	valve body	128"
300608	pump	reservoir	77"
300608	pump	control valve	77"
300606	pump	console	91"
317617	Pump	reservoir	62"
300652	lift cylinder	valve body	62"
300624	tail wheel drain	reservoir	83"
300618	lift cylinder	lift cylinder	64"
300612	lift cylinder	lift cylinder	79"
300651	curb broom	valve body	132"
300629	main broom	scrub head	45"
300615	valve body	scrub head	86"
305881	main broom	reservoir	86"
300641	Sq lift cyl	reservoir	95"
300604	cooling coil	reservoir	42"
300604	cooling coil	impeller	42"
300630	flow valve	reservoir	20"
307673	impeller	reservoir	63.25"
300604	flow valve	valve body	42"
300604	impeller	reservoir	42"
300646	hydraulic filter	reservoir	52"
305790	hydraulic filter	valve body	71"
300650	hydraulic filter	main broom	117"

Scrubber TSS90 (Diesel)			
Part Number	to	from	length
300610	pump	tail wheel	104"
300611	pump	tail wheel	126"
300622	valve body	rotation cylinder	133"
305377	valve body	rotation cylinder	144"
300638	sub assembly sq valve	sq sift cyl	75"
300639	sub assembly sq valve	sq sift cyl	79"
300640	sub assembly sq valve	sq sift cyl	80"
300633	lift cylinder	reservoir	79"
300620	pump	reservoir	95"
300602	curb broom	valve body	128"
300608	pump	reservoir	77"
300608	pump	control valve	77"
300606	pump	console	91"
300653	Pump	reservoir	58"
300652	lift cylinder	valve body	62"
300624	tail wheel drain	reservoir	83"
300618	lift cylinder	lift cylinder	64"
300612	lift cylinder	lift cylinder	79"
300651	curb broom	valve body	132"
300629	main broom	scrub head	45"
300615	valve body	scrub head	86"
305881	main broom	reservoir	86"
300641	Sq lift cyl	reservoir	95"
300604	cooling coil	reservoir	42"
300604	cooling coil	impeller	42"
300630	flow valve	reservoir	20"
307673	impeller	reservoir	63.25"
300604	flow valve	valve body	42"
300604	impeller	hydraulic filter	42"
300646	hydraulic filter	reservoir	52"
305790	hydraulic filter	valve body	71"
300650	hydraulic filter	main broom	52"

Scrubber TSS90 (Ford)			
Part Number	to	from	length
300610	pump	tail wheel	104"
300611	pump	tail wheel	126"
300622	valve body	rotation cylinder	133"
305377	valve body	rotation cylinder	144"
300638	sub assembly sq valve	sq sift cyl	75"
300639	sub assembly sq valve	sq sift cyl	79"
300640	sub assembly sq valve	sq sift cyl	80"
300633	lift cylinder	reservoir	79"
300620	pump	reservoir	95"
300602	curb broom	valve body	128"
300608	pump	reservoir	77"
300608	pump	control valve	77"
300606	pump	console	91"
300653	Pump	reservoir	58"
300652	lift cylinder	valve body	62"
300624	tail wheel drain	reservoir	83"
300618	lift cylinder	lift cylinder	64"
300612	lift cylinder	lift cylinder	79"
300651	curb broom	valve body	132"
300629	main broom	scrub head	45"
305873	main broom	hydraulic filter	74"
300615	valve body	scrub head	86"
305881	main broom	reservoir	86"
300641	Sq lift cyl	reservoir	95"
300604	cooling coil	reservoir	42"
300604	cooling coil	impeller	42"
300630	flow valve	reservoir	20"
307673	impeller	reservoir	63.25"
300604	flow valve	valve body	42"
300604	impeller	reservoir	42"

Scrubber TSS82 (Ford)

Part Number	to	from	length
305375	pump	tail wheel	104"
300628	pump	tail wheel	117"
300622	valve body	rotation cylinder	133"
305377	valve body	rotation cylinder	144"
300638	sub assembly sq valve	sq lift cyl	75"
300639	sub assembly sq valve	sq lift cyl	79"
300640	sub assembly sq valve	reservoir	80"
300633	lift cylinder	reservoir	79"
300620	pump	reservoir	95"
300602	curb broom	valve body	128"
300608	pump	reservoir	77"
300608	pump	control valve	77"
300606	pump	console	91"
317617	Pump	reservoir	62"
300652	lift cylinder	valve body	62"
300624	tail wheel drain	reservoir	83"
300618	lift cylinder	lift cylinder	64"
300612	lift cylinder	lift cylinder	79"
300651	curb broom	valve body	132"
300629	main broom	scrub head	45"
305873	main broom	hydraulic filter	74"
300615	valve body	scrub head	86"
305881	main broom	reservoir	86"
300641	Sq lift cyl	reservoir	95"
300604	cooling coil	reservoir	42"
300604	cooling coil	impeller	42"
300630	flow valve	reservoir	20"
307673	impeller	reservoir	63.25"
317619	hydraulic filter	valvebody	17"
317618	hydraulic filter	reservoir	34"
307673	impeller	reservoir	63.25

Scrubber CSS82 (Ford)

Part Number	to	from	length
305375	pump	tail wheel	104"
300628	pump	tail wheel	117"
300638	sub assembly sq valve	sq lift cyl	75"
300639	sub assembly sq valve	sq lift cyl	79"
300640	sub assembly sq valve	reservoir	80"
300633	lift cylinder	reservoir	79"
300620	pump	reservoir	95"
300608	pump	reservoir	77"
300608	pump	control valve	77"
300606	pump	console	91"
317617	pump	reservoir	62"
300624	tail wheel drain	reservoir	83"
300629	main broom	scrub head	45"
305873	main broom	hydraulic filter	74"
300615	valve body	scrub head	86"
305881	main broom	reservoir	86"
300641	Sq lift cyl	reservoir	95"
300604	cooling coil	reservoir	42"
300604	cooling coil	impeller	42"
300630	flow valve	reservoir	20"
307673	impeller	reservoir	63.25"
317619	hydraulic filter	valve body	17"
317618	hydraulic filter	reservoir	34"
300604	impeller	reservoir	42"